

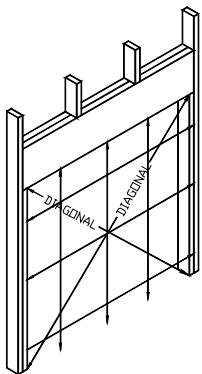
# INSTALLATION INSTRUCTIONS FOR YOUR NEW ATRIUM DOOR

## READ FULLY BEFORE INSTALLATION

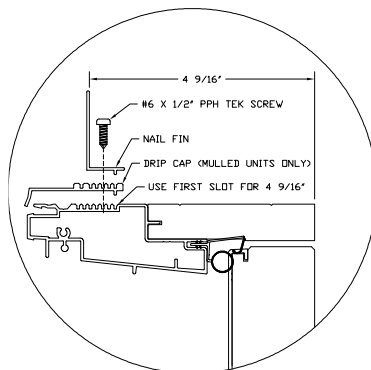
For more detailed instructions, see web site at [www.atriumpatiodoors.com](http://www.atriumpatiodoors.com).

**Materials required:** 6' level, phillips and standard head screwdrivers, pencil, framing square, self-leveling compound, tape measure, utility knife, caulk gun, prybar, non-hardening caulk, wooden shims, step ladder, (11) #8 X 2 1/2" drywall screws, cordless drill, and 1/8" & 25/64" drill bits.

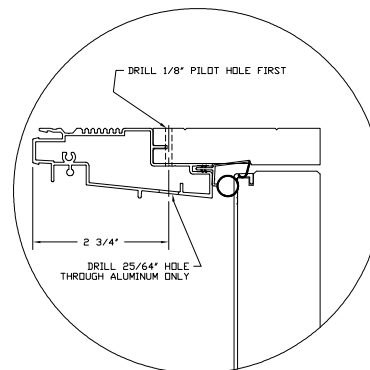
1. Before unpacking the unit, verify the size, handing, and operation of your new door. Check rough opening size. Rough opening should be 1/2" larger in width and 1/2" larger in height.
2. Check the door opening to ensure it is plumb and square. Check for square by measuring diagonally (Fig 1). Both diagonal measurements should be the same. Check for plumb by placing a level on the interior faces of the vertical studs. Both studs must be perfectly plumb.
3. The sub-floor must be level, flat, and free of debris that would not allow a continuous seal. If the sub-floor is not level, self leveling compounds may be used.
4. Remove the shipping materials from the unit. Remove the nailing fin (silver aluminum angles) from the interior sides and top of the unit. The nail fins may be used for unit installation. **Do Not Throw These Away!!!**
5. Review the following nail fin, brickmould, and retrofit installation drawings to determine which best fits your application
6. **Installing the nail fin:**
  - a) For units without brickmould, install the aluminum nail fin to the unit (Fig. 2).
  - b) For new construction openings, measure the frame depth inside out to determine nail fin location for wall openings such as 4 9/16" (Fig. 2). Atrium has an optional jamb extender kit for a 2X6 framed wall. Line up the ridges in the fins to the slots on the door unit and fasten the nail fin in place using the (18) #6 x 1/2" self-tapping screws provided. For mullered units you will apply the drip cap to the unit and then the nail fin to the drip cap (Fig. 2)
  - c) Place the brown corner seal gaskets provided over the nail fin corners on the exterior side of the door frame corner, this will seal the corners of the unit.
7. **Installing optional brickmould:** To install optional brickmould, refer to the installation instructions supplied in the trim box.
8. **Prepping for retrofit installation:** Measure in from the exterior side of the unit 2 5/8" and mark this at four equally spaced points along each side jamb and three equally spaced points along the head jamb. Then drill a 1/8" pilot hole through the entire unit at each of the 11 marked places. After the pilot hole has been created, drill a 25/64" hole through the aluminum cladding only. (Fig. 3)
9. Test fit the unit and draw a line around the perimeter where the nail fin or fin on the brickmould will lie against the exterior wall and on the inside of the sill on the sub floor. It is only necessary to draw the line on the subfloor when using the retrofit method. (This line will be a guide for sealing the sill and the unit.)
10. Apply two 3/8" continuous beads of sealant across the full length of the sub-floor. These beads must be 4 1/2" inside the pencil line created in step 9. If a wood sub-floor is present, flashing needs to be applied below the sill before installation. Note: All surfaces contacting sealant must be clean, dry, and free of all contaminants prior to applying sealant. Some applications may require a sill pan.
11. If nail fins or brickmould are used, place a continuous bead of non-hardening sealant between the line drawn on step 9 and the wall opening.
12. Remove brackets holding any operational panels in place. Then place the unit into the opening. Temporarily secure the unit by fastening the unit to the studs at the top corners.
13. Place wood shims as shown in (Fig 4). On swinging units, adjust shims so that there is a consistent gap between the panel and the jambs on the entire unit. Shims should be placed directly behind each hinge where one screw has been left out. After shimmed behind each of these locations correctly, install the #8 X 3" screws provided to anchor side jamb and hinge into wall stud.
14. Assume that the unit is plumb by placing a level on the interior face of the jambs. Jambs must be perfectly plumb. Panels must be flush to jamb and/or other panels depending on operation.
15. When using the nail fin or brickmould, secure the unit to the studs with 2-1/2" drywall screws through nail fin or fin on the brickmould. When using the retrofit method, secure the unit to the studs with 2-1/2" drywall screws through the holes you drilled in the jambs. Be sure to shim properly between the unit and studs before anchoring unit in place. Apply sealant around the hole you drilled and insert the provided plastic plugs.



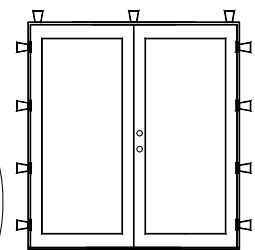
▲ FIGURE 1  
ROUGH OPENING



▲ FIGURE 2  
NAIL FIN LOCATION



▲ FIGURE 3  
RETROFIT INSTALLATION



▲ FIGURE 4  
SHIMMING LOCATIONS